

## GP98-651 Spring Loaded Handle

### Features

- Spring loaded lifting handle with moulded grip and built in 90 degree stop
- Available in 2 finishes including stainless steel
- Load capacity of 450 kg, suitable for heavy duty applications

### Material

- SS: Stainless steel 304, natural
- MSZN: Mild steel, zinc plate passivate (silver blue)

### Notes

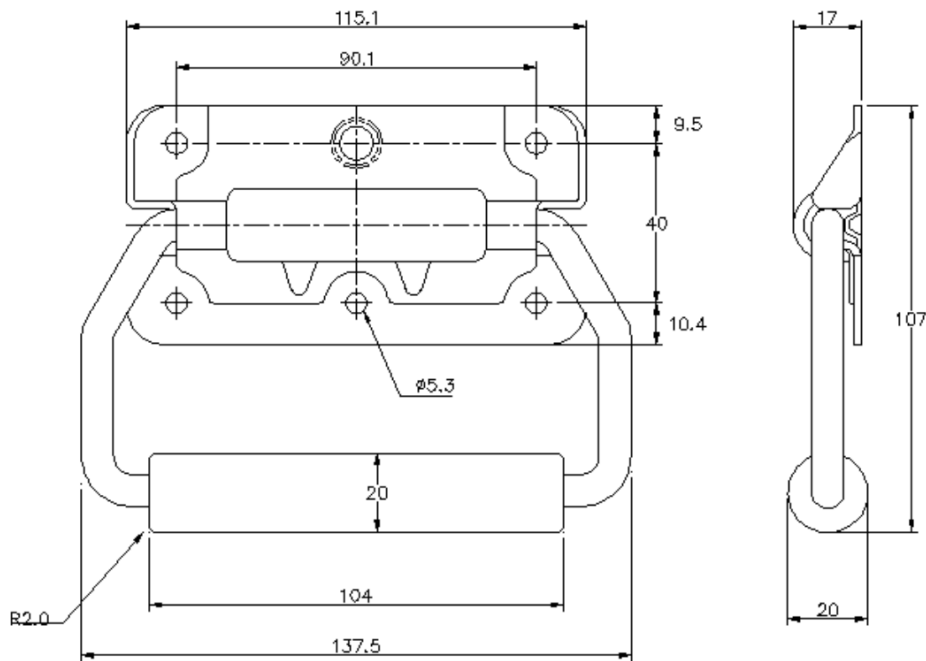
- Hole diameter 5.3 mm



GP98-651SS



GP98-651MSZN



Part No.	Material	Load Capacity
GP98-651SS	Stainless Steel	450 kg
GP98-651MSZN	Mild Steel, Zinc Plated	